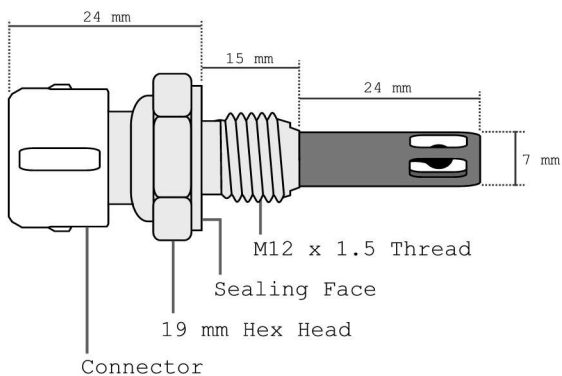


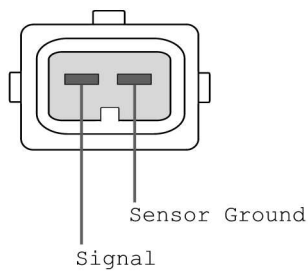
Data Sheet: Fast Response Air Temperature Sensor
Part Number: SS-3020-LN1
Calibration Reference: 6PT 009 109 041

Type: Open Element Thermistor
Temp. Range: -40°C to 150°C
Hex Size: 12 mm
Thread Size: M12x1.5
Power Supply: 5VDC
Output: 0 to 5V
Connector: EV1 2Pin Jetronic

Side View:



Rear View:



Calibration Table:

Temperature ($^{\circ}\text{C}/^{\circ}\text{F}$)	Resistance (Ω)	Voltage (V) 1k Ω Pull-Up @ 5VDC
150	110	0.495
140	130	0.575
130	165	0.708
120	205	0.851
110	267	1.054
100	353	1.305
90	459	1.573
80	626	1.925
70	878	2.338
60	1260	2.788
50	1800	3.214
40	2600	3.611
30	4076	4.015
20	6599	4.342
10	10765	4.575
0	17657	4.732
-10	29488	4.836
-20	55180	4.911
-30	64789	4.924
-40	65667	4.925

